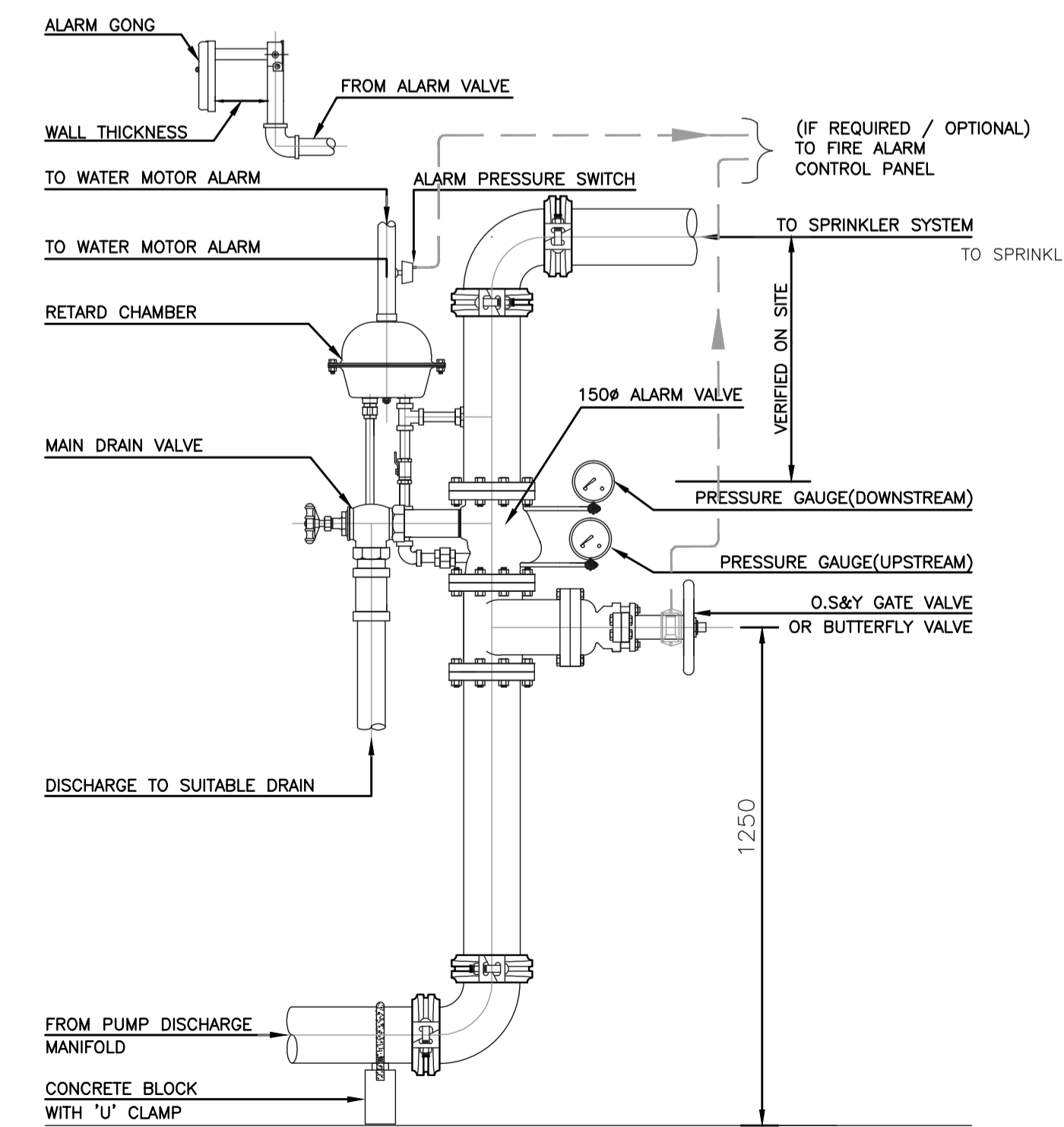
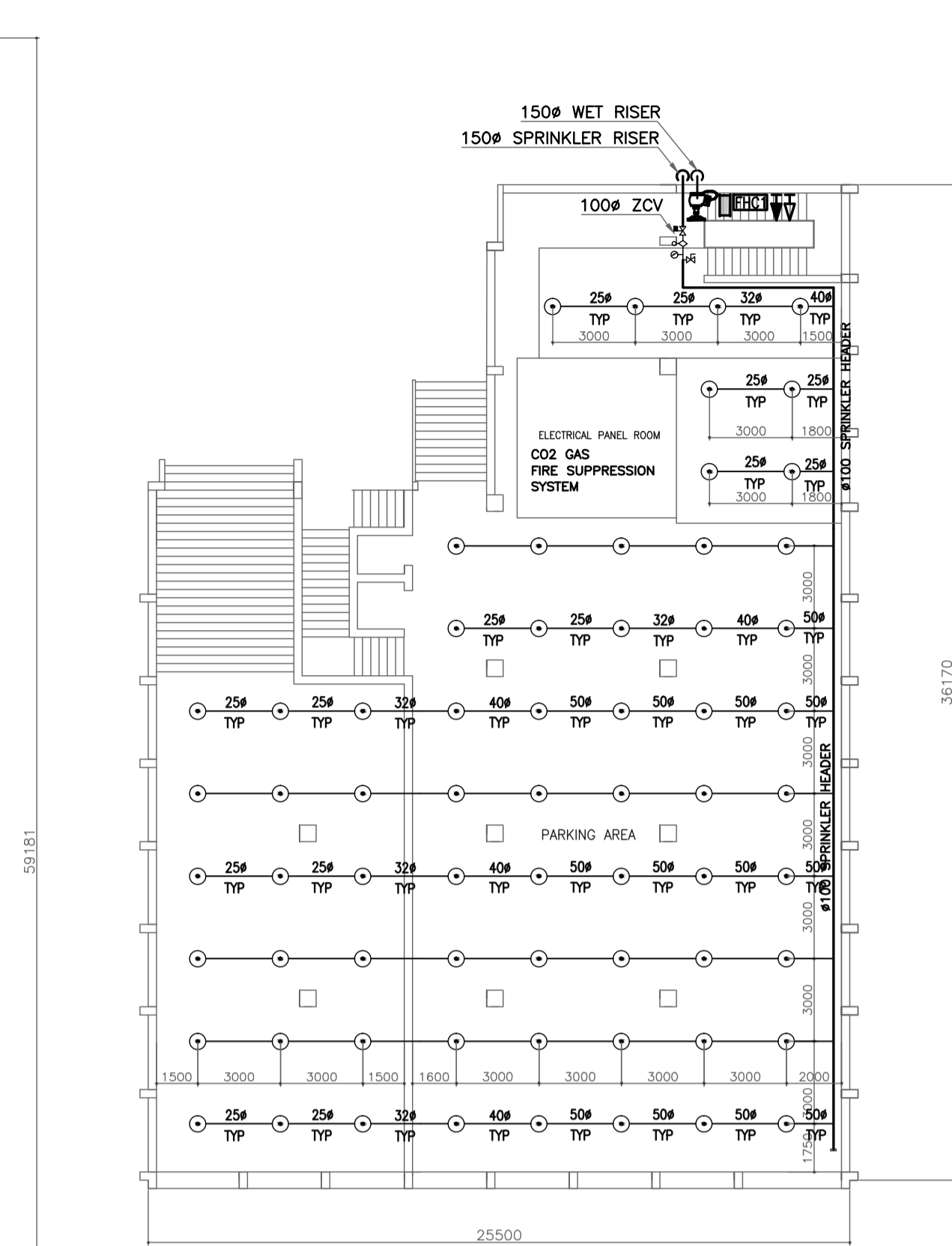


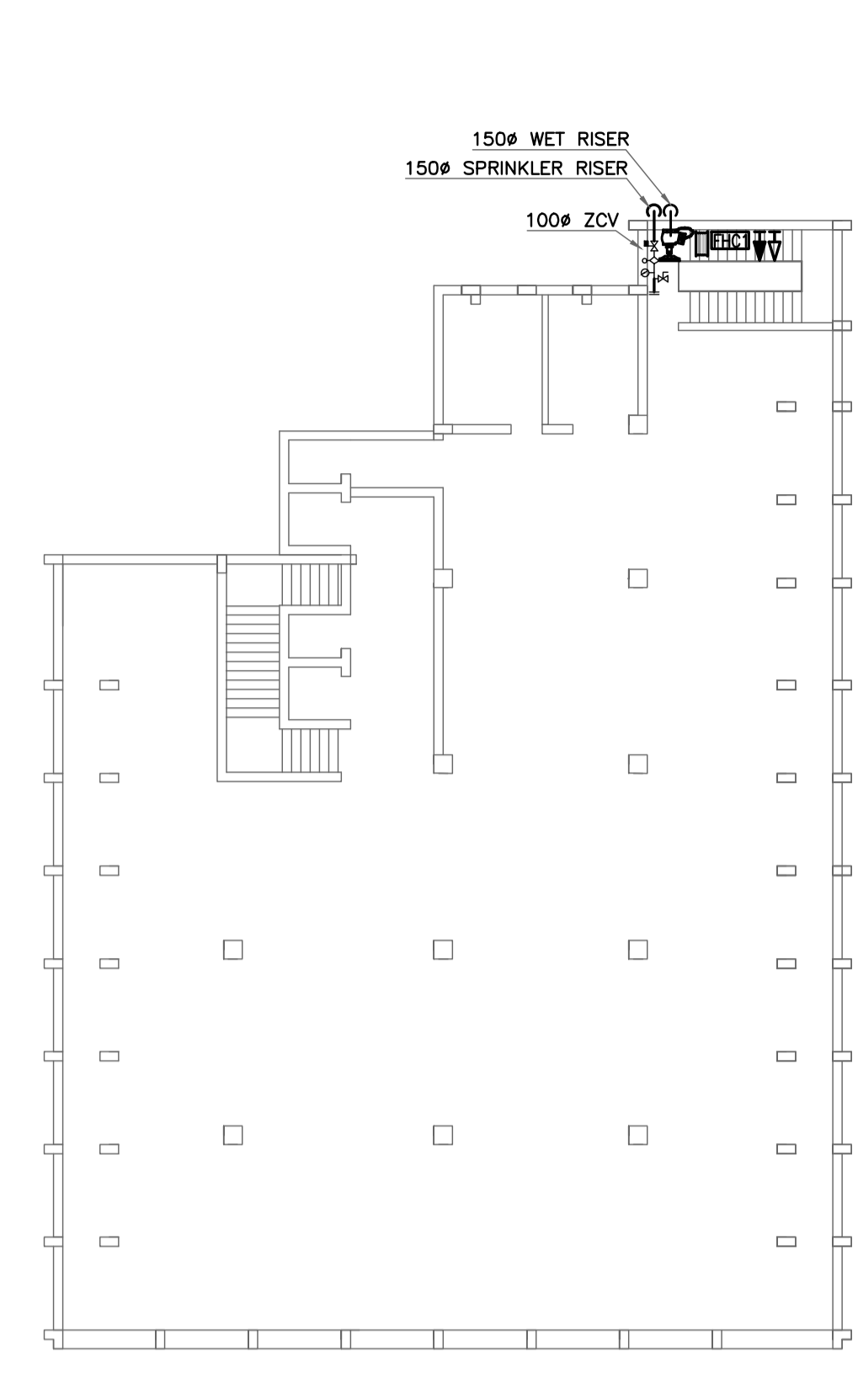
SITE SETTING OUT & EXTERNAL FIRE HYDRANT LAYOUT



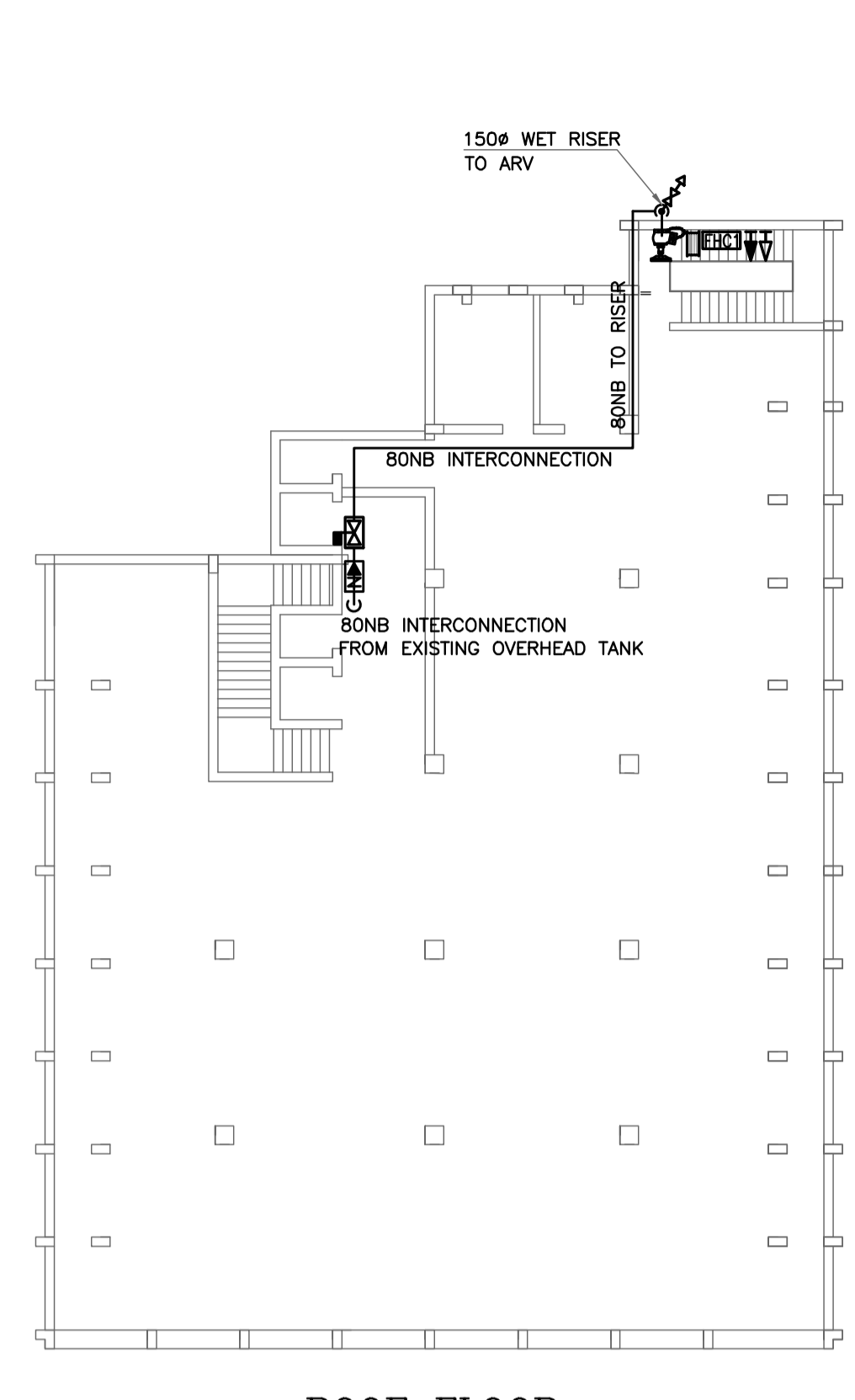
ALARM CHECK VALVE N.T.S.



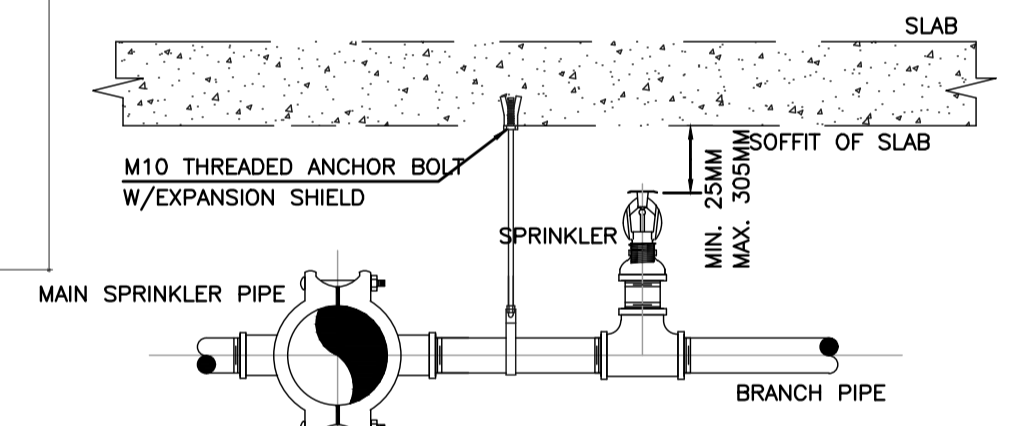
BASEMENT FLOOR



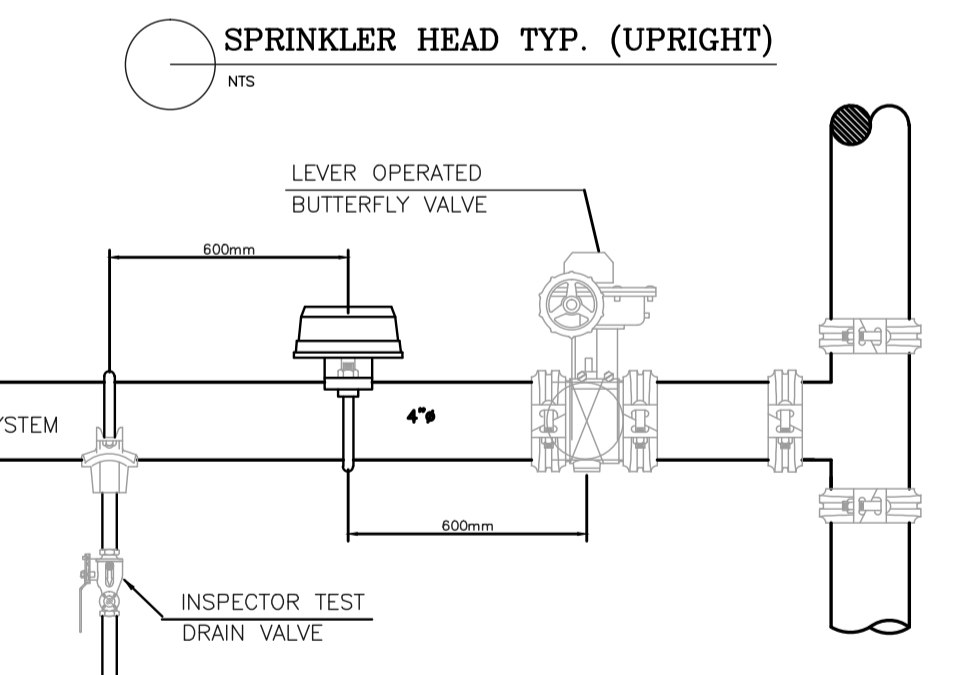
TYPICAL FLOOR (1st TO 8th)



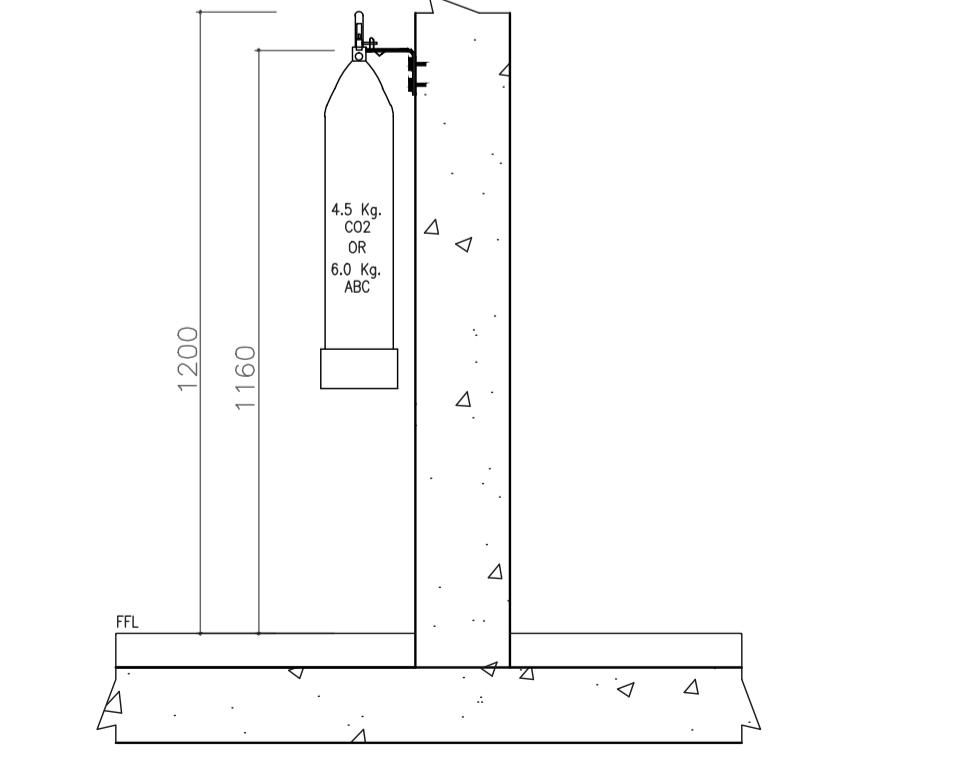
ROOF FLOOR



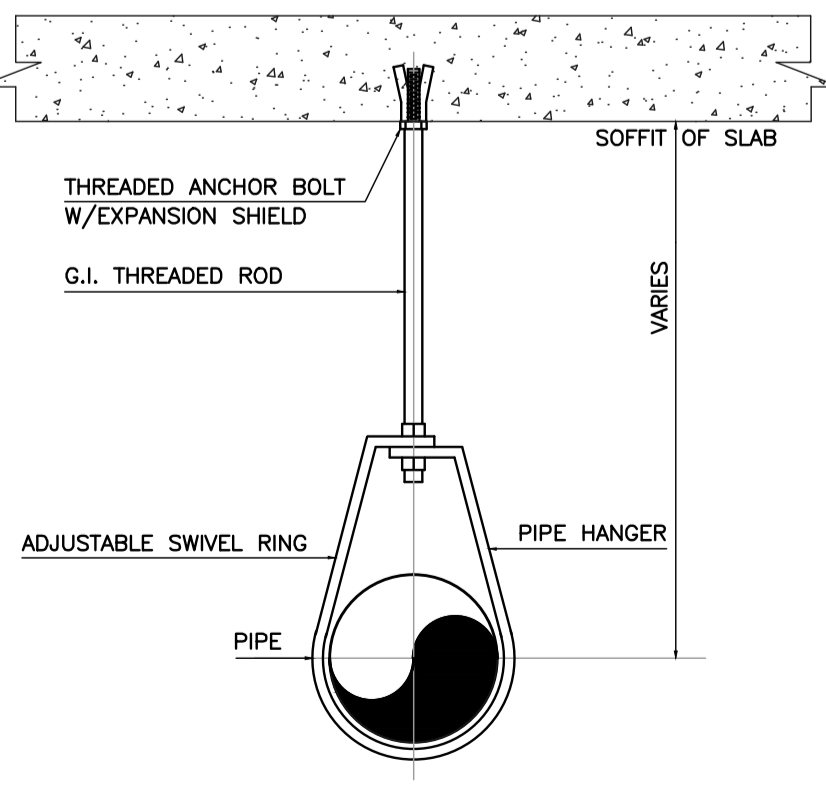
DETAIL OF PIPE SUPPORT THR'U WALL SCALE : NTS



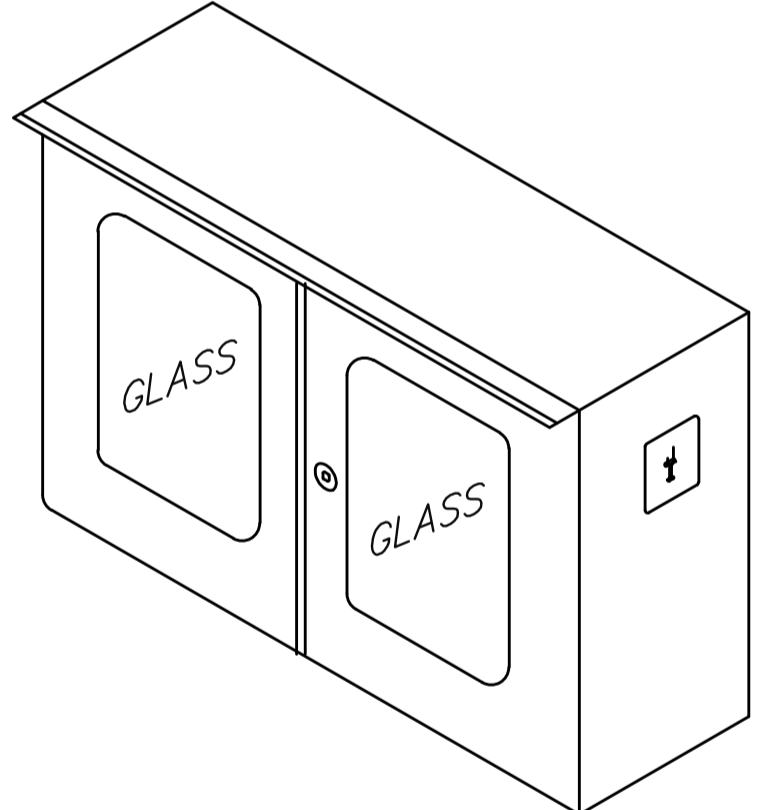
SPRINKLER HEAD TYP. (UPRIGHT) N.T.S.



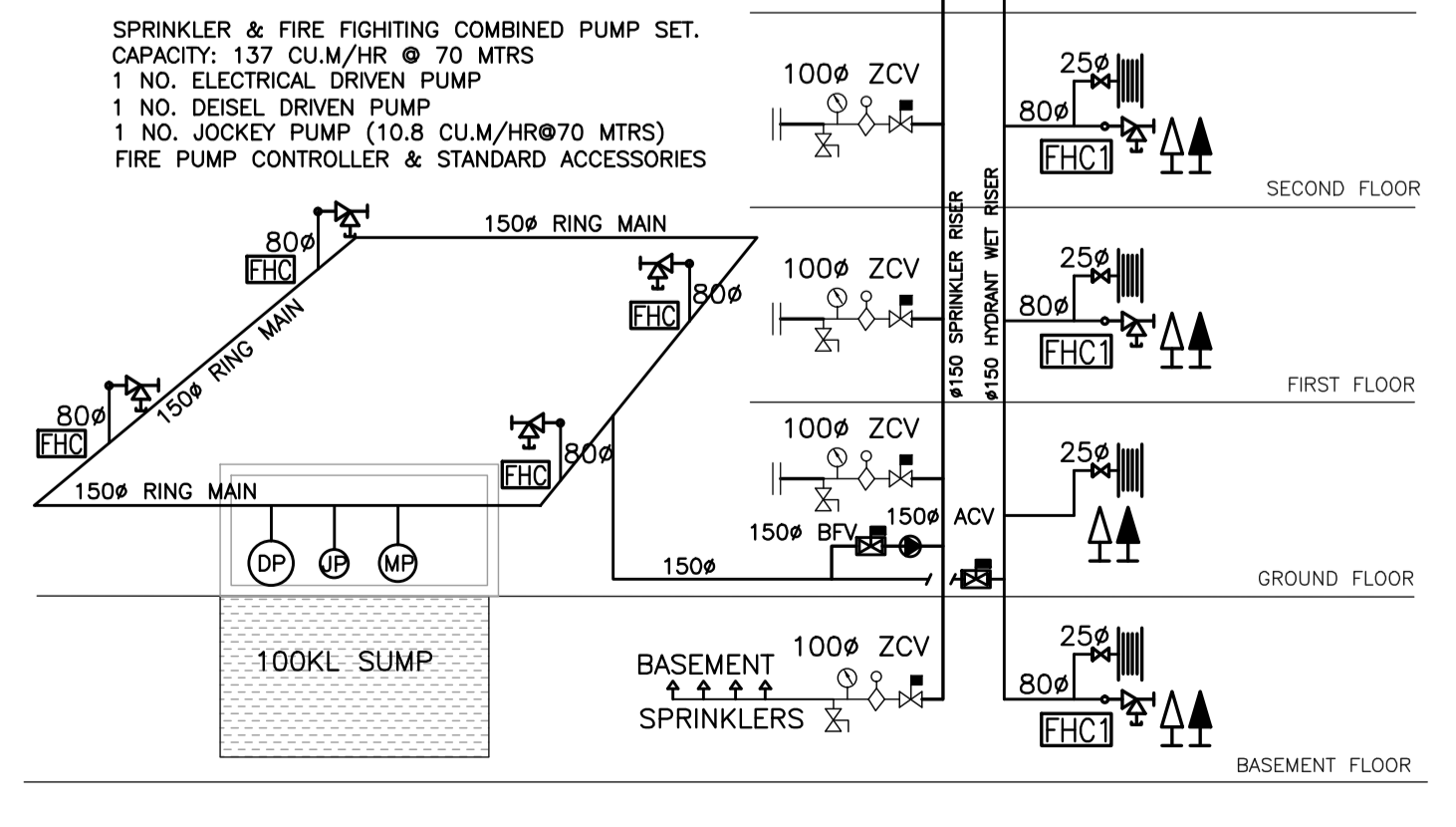
CO2 / ABC WALL MOUNT FIRE EXTINGUISHERS N.T.S.



PIPE HANGER DETAIL N.T.S.



FIRE HOSE CABINET - FHC & FHC1 SCALE : NTS



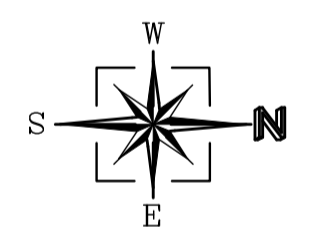
SCHEMATIC RISER DRAWING

LEGENDS:

	UPRIGHT SPRINKLER HEAD, K-80, 68°C, SR, 1/2" NPT
	EXTERNAL / INTERNAL SINGLE HEAD FIRE HYDRANT VALVE
	EXTERNAL FIRE HYDRANT HOSE CABINET COMPLETE WITH 2 NOS #65x15M LONG FIRE HOSE WITH COUPLING AND 1 NO #65 BRANCH PIPE JET NOZZLE
	INTERNAL FIRE ESCAPE HYDRANT HOSE CABINET COMPLETE WITH 2 NOS #65x7.5M LONG FIRE HOSE WITH COUPLING AND 1 NO #65 BRANCH PIPE JET NOZZLE
	FIRST AID FIRE HOSE REEL WITH 19mm X 30 Mtr HOSE WITH JET/SPRAY MULTIPURPOSE NOZZLE
	4.5 KG CO2 FIRE EXTINGUISHER
	6 KG DRY POWDER FIRE EXTINGUISHER
	50 LTRS FOAM FIRE EXTINGUISHER (TROLLEY TYPE)
	22 KG CO2 FIRE EXTINGUISHER (TROLLEY TYPE)
	ALARM CHECK VALVE
	ZONE CONTROL VALVE ASSEMBLY COMPLETE WITH LEVER OPERATED BUTTERFLY VALVE, WATER FLOW DETECTOR (FOR FUTURE), PRESSURE GAUGE AND DRAIN BALL VALVE
	4-WAY X #150MM FIRE BRIGADE INLET
	WAFER TYPE BUTTERFLY VALVE
	WAFER TYPE / BALL TYPE NON RETURN VALVE
	C.I./CHROME FINISH BALL VALVE
	BRONZE / FORGED BRASS GATE VALVE
	AIR RELEASE VALVE
	NEEDLE VALVE / BALL VALVE
	PRESSURE SWITCH
	PROPOSED FIRE HYDRANT & SPRINKLER PUMP SETS CONSISTS OF 1 No. OF ELECTRIC DRIVEN JOCKEY PUMP - FIRE HYDRANT SYSTEM 10.8 Cu.M/Hr @ 70 Mtrs HEAD CAPACITY 1 No. OF ELECTRIC DRIVEN MAIN PUMP - FIRE HYDRANT SYSTEM 137 Cu.M/Hr @ 70 Mtrs HEAD CAPACITY 1 No. OF DIESEL ENGINE DRIVEN STANDBY PUMP - FIRE HYDRANT SYSTEM 137.0 Cu.M/Hr @ 70 Mtrs HEAD CAPACITY WITH REQUIRED AIR VESSEL TANK, PRESSURE SETTING MANIFOLD & TEST/DRAIN ARRANGEMENTS
	CONTROL PANEL FOR FIRE PUMP SETS WITH MAIN INCOMER & DISTRIBUTION AS BELOW FOR ELECTRIC DRIVEN JOCKEY PUMP SET AUTO START/STOP & MANUAL START/STOP FOR ELECTRIC DRIVEN MAIN PUMP SET AUTO START & MANUAL START/STOP FOR DIESEL ENGINE DRIVEN STANDBY PUMP SET AUTO START & MANUAL START/STOP CHARGING CIRCUIT FOR BATTERY INTERNAL HOOTER

ABBREVIATIONS :

ACV	ALARM CHECK VALVE	U/G	UNDER GROUND
ARV	AIR RELEASE VALVE	A/G	ABOVE GROUND
F/B	FROM BELOW	F/A	FROM ABOVE
T/B	TO BELOW	T/A	TO ABOVE
WSP	WATER SPRAY LINE	QB	QUARTZOID BULB
WRP	WET RISER PIPE	SRP	SPRINKLER RISER PIPE



0	02.08.17	ISSUED FOR APPROVAL	MS	CVL	CS
REV	DATE	DESCRIPTION	DRAWN	CHKD.	APPD.

PROJECT: CANARA BANK CIRCLE OFFICE
MOUNT ROAD, ANNA SALAI, CHENNAI - 2.

CLIENT: **केनरा बैंक**
Canara Bank

FIRE ENGINEERING CONSULTANT:
 INTERNATIONAL FIRE ENGINEERING CONSULTANTS
SERVING FOR THE SAFETY OF LIFE, PROPERTY, COMMUNITY & ENVIRONMENT
VIRUGAMBAKKAM, CHENNAI - 600 092, INDIA.
Ph: +91 44 2364 2799, Fax: +91 44 2401 6860, Mob: +91 9751 949464
E. Mail: ifec.india@gmail.com / engineering@ifec.in, Web: www.ifec.in

TITLE: FIRE HYDRANT & SPRINKLER SYSTEM LAYOUT

DESIGNED	MS	SIGN	DATE	DRG. NO.
CHECKED	CVL			IFEC-17/CB/FF
APPROVED	CS			SCALE : 1:200 SIZE : A1
RELEASED FOR <input type="checkbox"/> PRELIMINARY <input type="checkbox"/> TENDER <input type="checkbox"/> INFORMATION <input type="checkbox"/> APPROVAL <input type="checkbox"/> CONSTRUCTION				