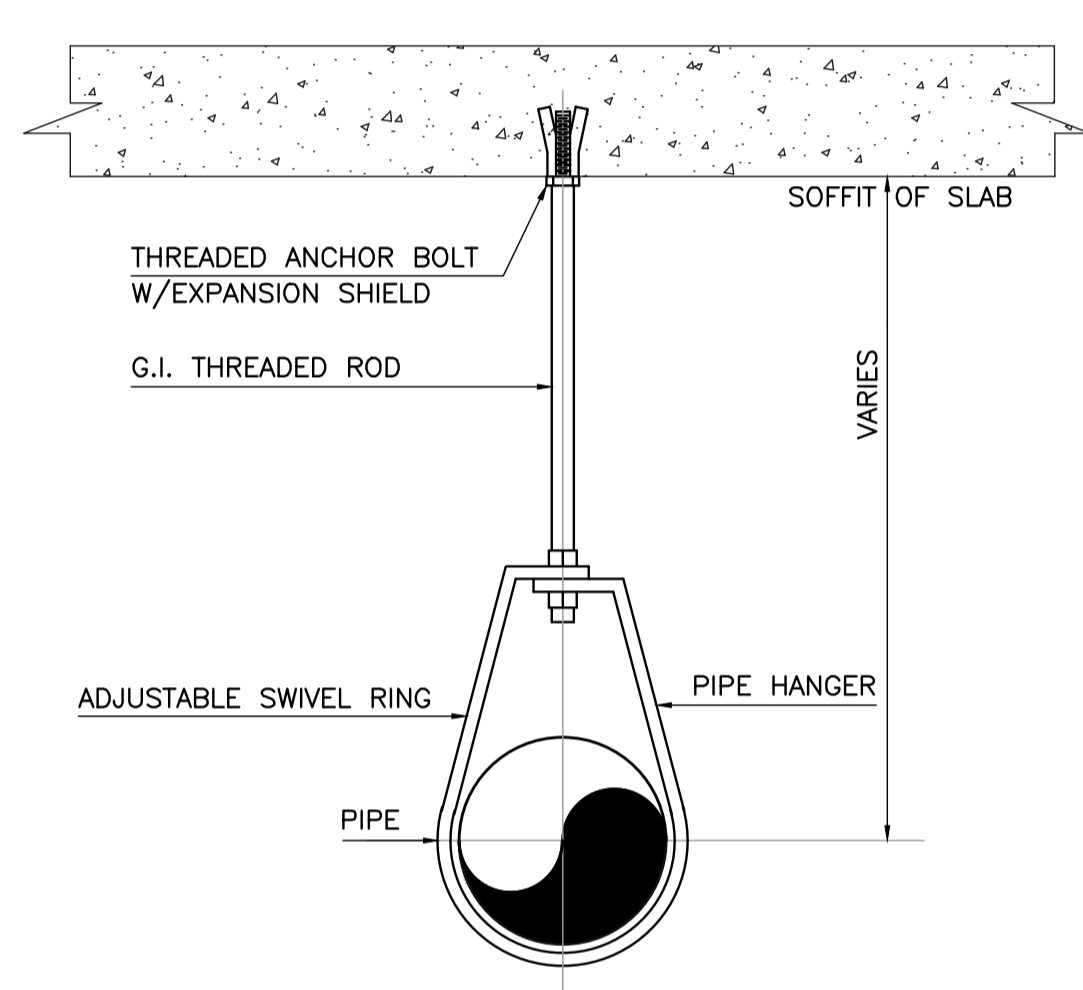
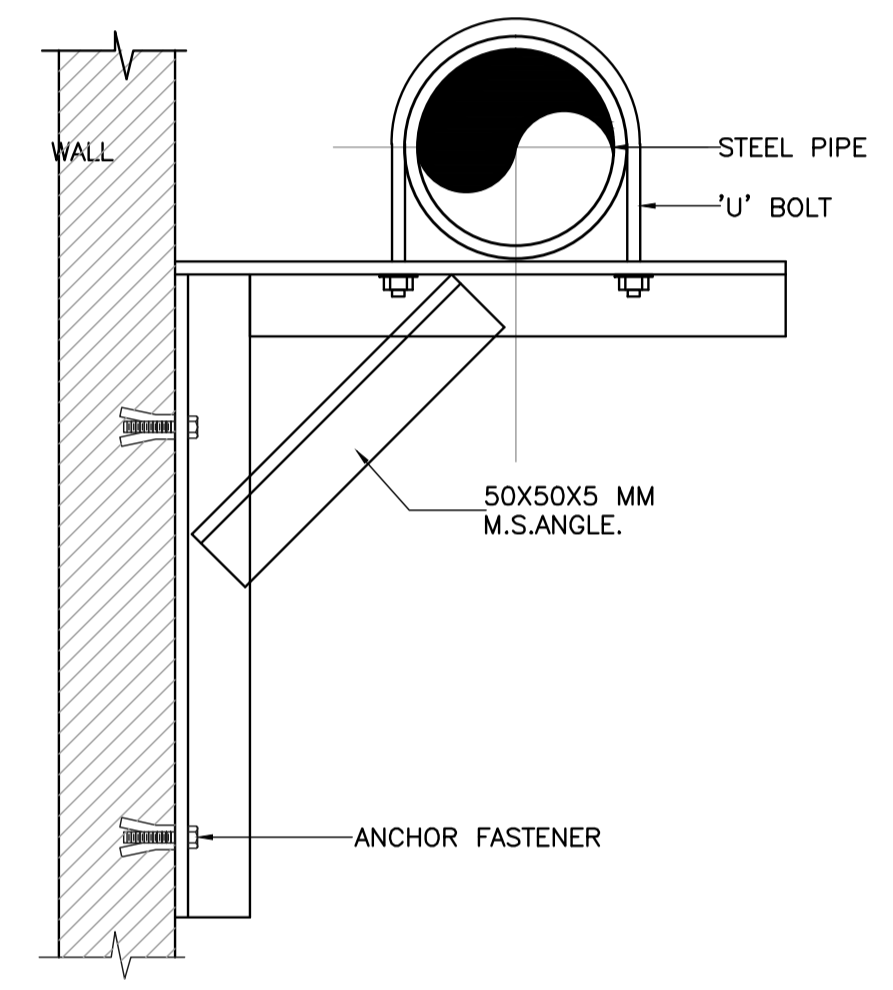


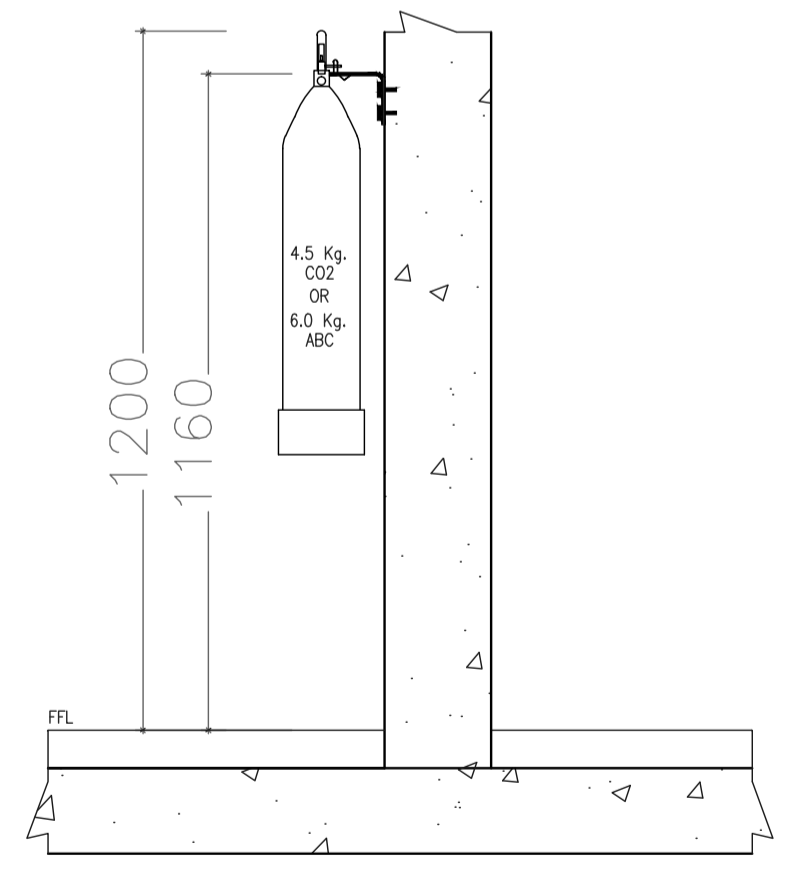
UNDERGROUND PIPING & ROAD CROSSING  
SCALE - N.T.S



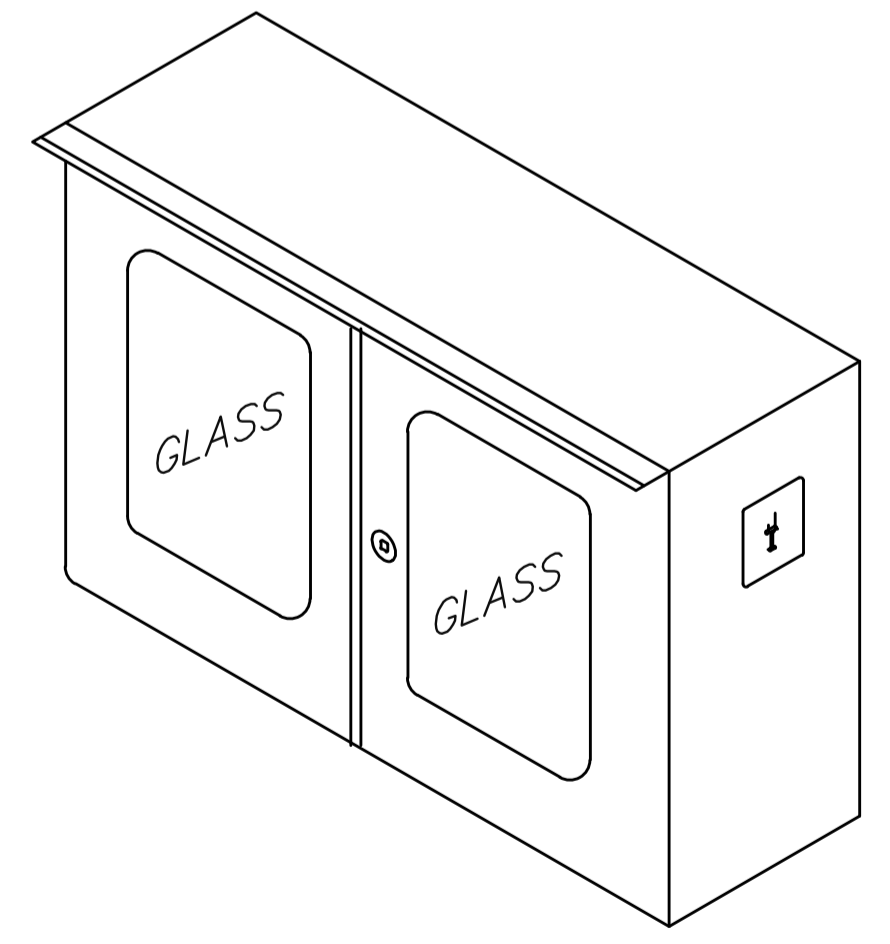
PIPE HANGER DETAIL  
N.T.S



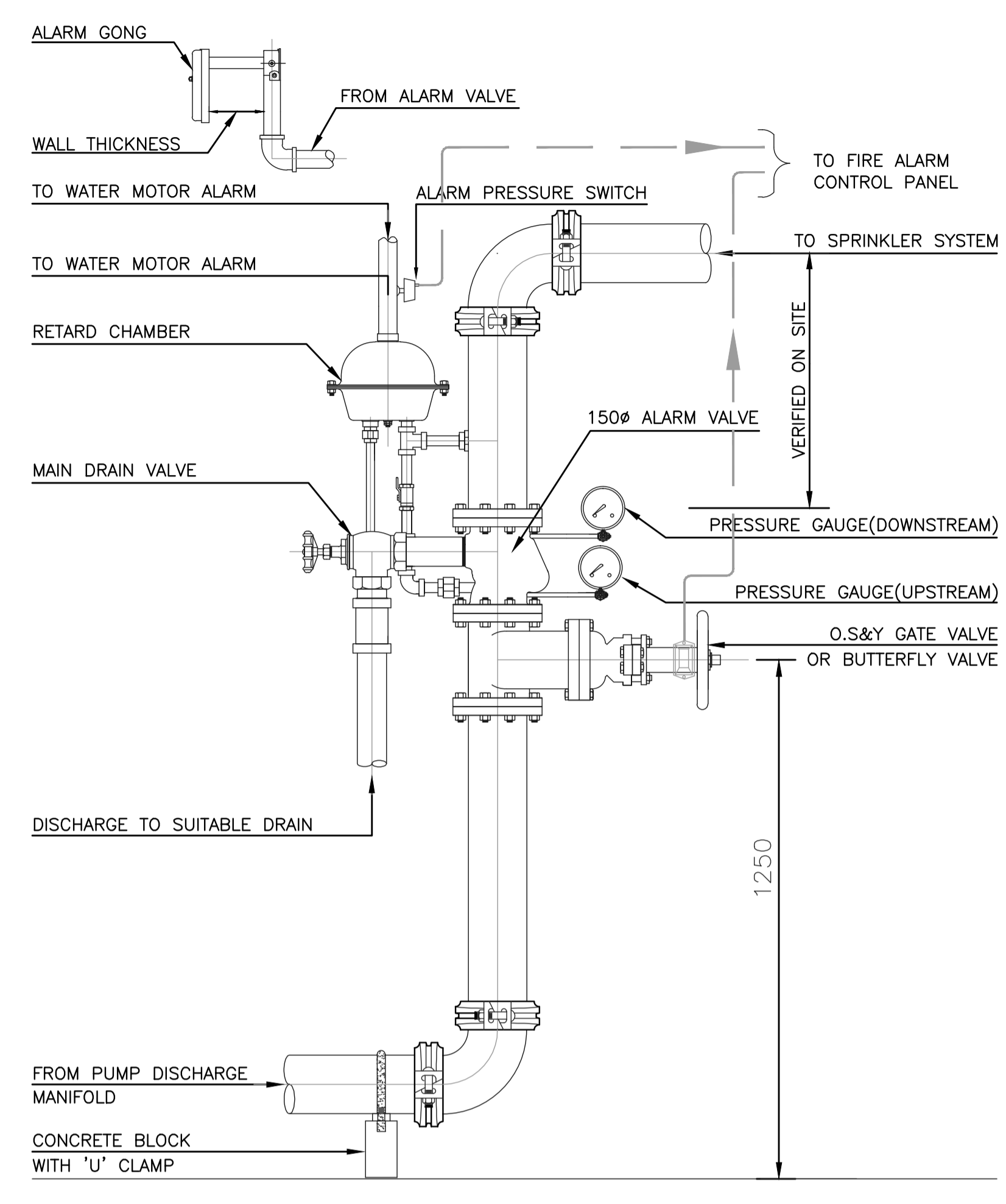
DETAIL OF PIPE SUPPORT THR'U WALL  
SCALE : N.T.S



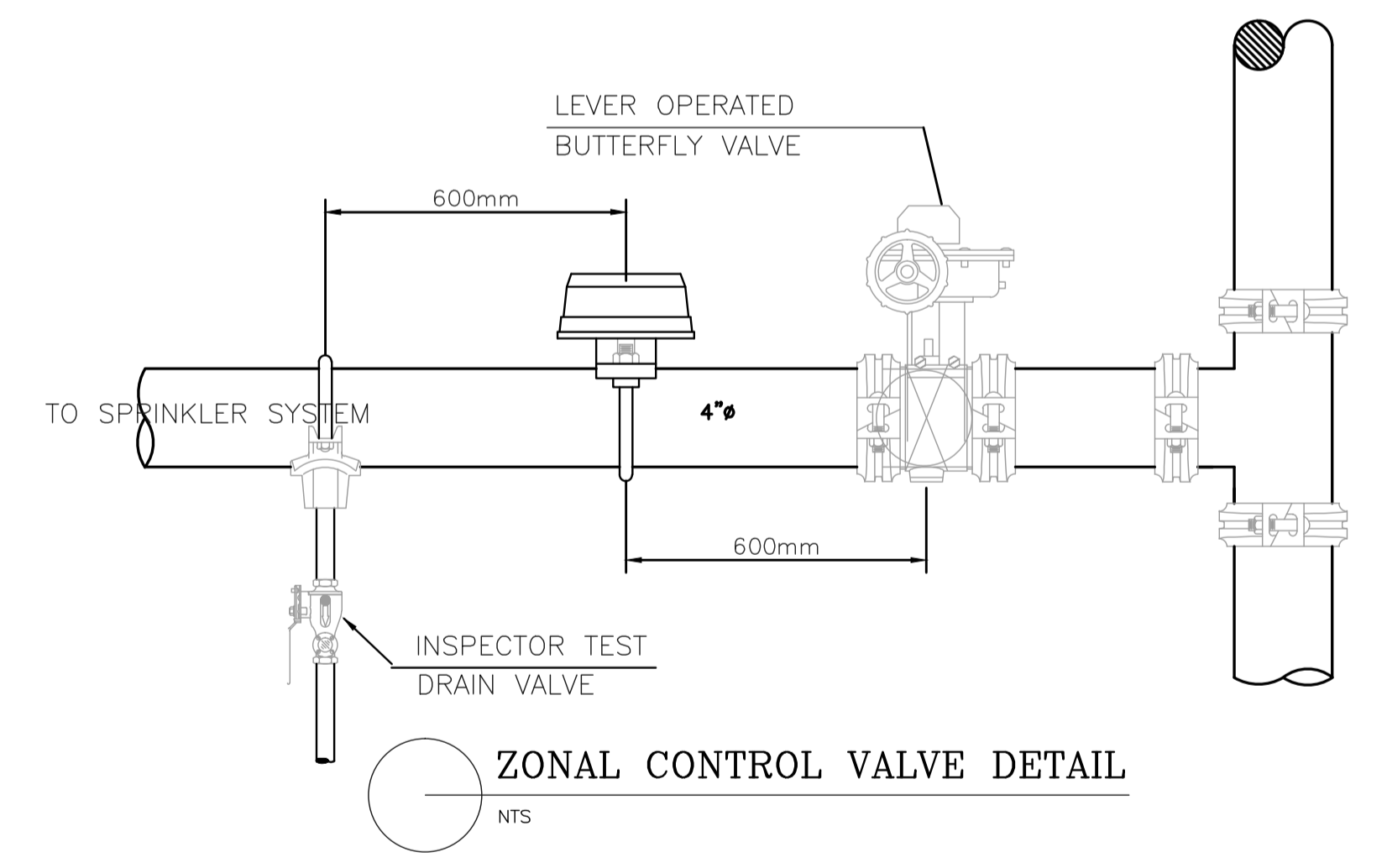
CO2 / ABC WALL MOUNT FIRE EXTINGUISHERS  
N.T.S



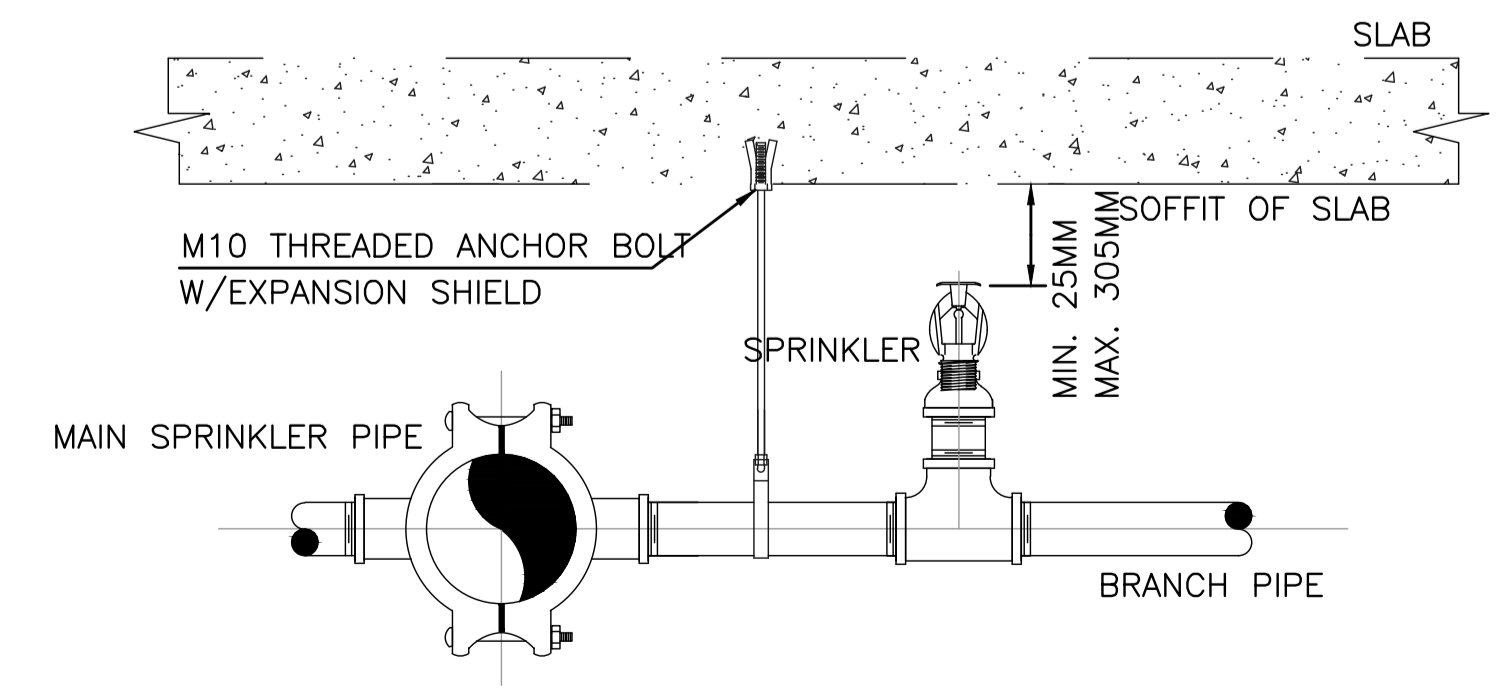
FIRE HOSE CABINET - FHC & FHC1  
SCALE : N.T.S



ALARM CHECK VALVE  
N.T.S



ZONAL CONTROL VALVE DETAIL  
N.T.S



SPRINKLER HEAD TYP. (UPRIGHT)  
N.T.S

**LEGENDS:**

- UPRIGHT SPRINKLER HEAD, K-80, 68°C, SR, 1/2" NPT
- EXTERNAL / INTERNAL SINGLE HEAD FIRE HYDRANT VALVE
- EXTERNAL FIRE HYDRANT HOSE CABINET COMPLETE WITH 2 NOS #65x15M LONG FIRE HOSE WITH COUPLING AND 1 NO #65 BRANCH PIPE JET NOZZLE
- INTERNAL FIRE ESCAPE HYDRANT HOSE CABINET COMPLETE WITH 2 NOS #65x7.5M LONG FIRE HOSE WITH COUPLING AND 1 NO #65 BRANCH PIPE JET NOZZLE
- FIRST AID FIRE HOSE REEL WITH 19mm X 30 Mtr HOSE WITH JET/SPRAY MULTIPURPOSE NOZZLE
- 4.5 KG CO2 FIRE EXTINGUISHER
- 6 KG DRY POWDER FIRE EXTINGUISHER
- 50 LTRS FOAM FIRE EXTINGUISHER (TROLLEY TYPE)
- 22 KG CO2 FIRE EXTINGUISHER (TROLLEY TYPE)
- ALARM CHECK VALVE
- ZONE CONTROL VALVE ASSEMBLY COMPLETE WITH LEVER OPERATED BUTTERFLY VALVE, WATER FLOW DETECTOR (FOR FUTURE), PRESSURE GAUGE AND DRAIN BALL VALVE
- 4-WAY X #150MM FIRE BRIGADE INLET
- WAFER TYPE BUTTERFLY VALVE
- WAFER TYPE / BALL TYPE NON RETURN VALVE
- C.I./CHROME FINISH BALL VALVE
- BRONZE / FORGED BRASS GATE VALVE
- AIR RELEASE VALVE
- NEEDLE VALVE / BALL VALVE
- PRESSURE SWITCH

PROPOSED FIRE HYDRANT & SPRINKLER PUMP SETS CONSISTS OF

- 1 No. OF ELECTRIC DRIVEN JOCKEY PUMP - FIRE HYDRANT SYSTEM
- 10.8 Cu.M/Hr @ 70 Mtrs HEAD CAPACITY
- 1 No. OF ELECTRIC DRIVEN MAIN PUMP - FIRE HYDRANT SYSTEM
- 137 Cu.M/Hr @ 70 Mtrs HEAD CAPACITY
- 1 No. OF DIESEL ENGINE DRIVEN STANDBY PUMP - FIRE HYDRANT SYSTEM
- 137.0 Cu.M/Hr @ 70 Mtrs HEAD CAPACITY

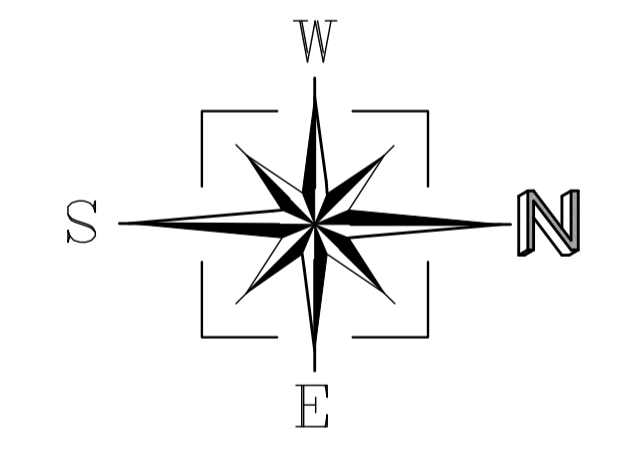
WITH REQUIRED AIR VESSEL TANK, PRESSURE SETTING MANIFOLD & TEST/DRAIN ARRANGEMENTS

CONTROL PANEL FOR FIRE PUMP SETS WITH MAIN INCOMER & DISTRIBUTION AS BELOW

- FOR ELECTRIC DRIVEN JOCKEY PUMP SET AUTO START/STOP & MANUAL START/STOP
- FOR ELECTRIC DRIVEN MAIN PUMP SET AUTO START & MANUAL START/STOP
- FOR DIESEL ENGINE DRIVEN STANDBY PUMP SET AUTO START & MANUAL START/STOP
- CHARGING CIRCUIT FOR BATTERY
- INTERNAL HOOTER

**ABBREVIATIONS :**

ACV	ALARM CHECK VALVE	U/G	UNDER GROUND
ARV	AIR RELEASE VALVE	A/G	ABOVE GROUND
F/B	FROM BELOW	F/A	FROM ABOVE
T/B	TO BELOW	T/A	TO ABOVE
WSP	WATER SPRAY LINE	QB	QUARTZOID BULB
WRP	WET RISER PIPE	SRP	SPRINKLER RISER PIPE



0	02.08.17	ISSUED FOR APPROVAL	MS	CVL	CS
REV	DATE	DESCRIPTION	DRAWN	CHKD.	APPD.

**PROJECT:**  
CANARA BANK CIRCLE OFFICE  
MOUNT ROAD, ANNA SALAI, CHENNAI - 2.

**CLIENT:**

**FIRE ENGINEERING CONSULTANT:**  
INTERNATIONAL FIRE ENGINEERING CONSULTANTS  
SERVING FOR THE SAFETY OF LIFE, PROPERTY, COMMUNITY & ENVIRONMENT  
VIRUGAMBAKKAM, CHENNAI - 600 092, INDIA.  
Ph: +91 44 2364 2799, Fax: +91 44 2401 6860, Mob: +91 9751 949464  
E. Mail: ifec.india@gmail.com / engineering@ifec.in, Web: www.ifec.in

**TITLE:**  
FIRE HYDRANT & SPRINKLER SYSTEM  
DETAIL DRAWINGS

DESIGNED	MS	SIGN	DATE	DRG. NO.
CHECKED	CVL			IFEC-17/CB/FF-04
APPROVED	CS			SCALE : 1:100 SIZE : A1

RELEASED FOR  PRELIMINARY  TENDER  INFORMATION  APPROVAL  CONSTRUCTION

# DETAIL DRAWINGS