

OUTSOURCING KNOWLEDGE

# Material Library

Lamination : White Lamination  
Company : VIR  
Code : SG 4001  
Colour : Super Glossy White

Lamination : Wooden Lamination  
Company : VIR  
Code : CM 8584  
Colour : Walnut Brown

Lamination : Violet Lamination  
Company : Formica  
Code : FI 1311 (SF)  
Colour : Rhodolite Matte

Lamination : Black Lamination  
Company : VIR  
Code : SF 1015  
Colour : Jade Black

Lamination : Metallic Lamination  
Company : Formica  
Code : F - I . 1651  
Colour : Metallic Finish

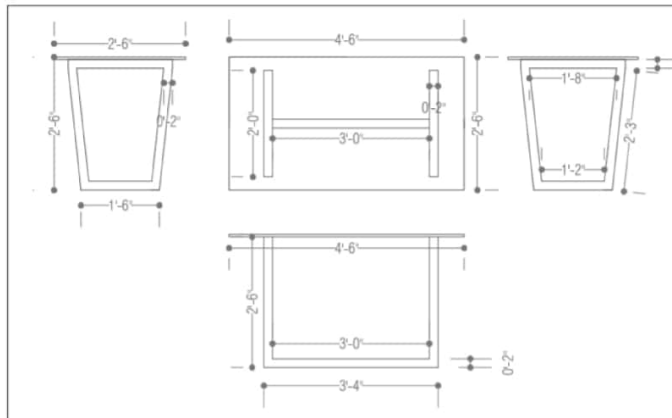
Lamination : White Lamination  
Company : VIR  
Code : SF 4001  
Colour : Matte White

Flooring Company : Simpolo  
Code : Alaska White  
Size : 4' x 4'  
Tile Colour : Glossy White

Wooden Flooring : Euro make  
Code : Not provided  
Size : 40" x 8"  
Colour : Walnut Brown

Flooring Company : China Make  
Code : not provided  
Size : 2' x 2'  
Colour : Metallic Silver

Solid Surface : Solid Sheet 6mm  
Company : GRANUIM  
Code : GRE - 101 - Pure White  
Colour : White'



Solid Surface : Exterior  
Company : GRANUIM  
Code : GRE - 101 - Pure White  
Colour : White

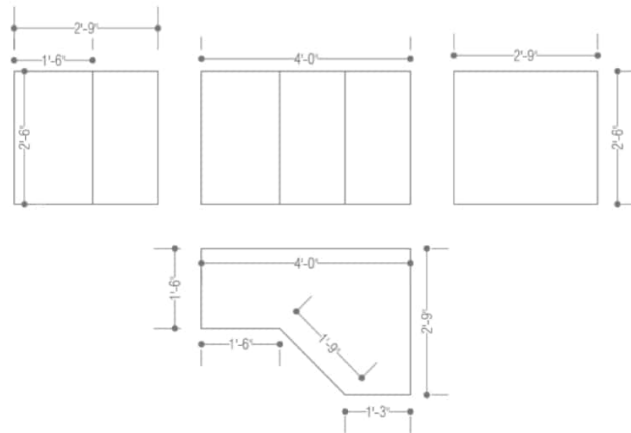
Lamination : Violet Lamination  
Company : Formica  
Code : FI 1311 (SF)  
Colour : Rhodolite Matte

RICH CUSTOMER INTERACTION

# Center Desk

Solid Surface : Solid Sheet  
Company : GRANUIM  
Code : GRE - 101 - Pure White  
Colour : White

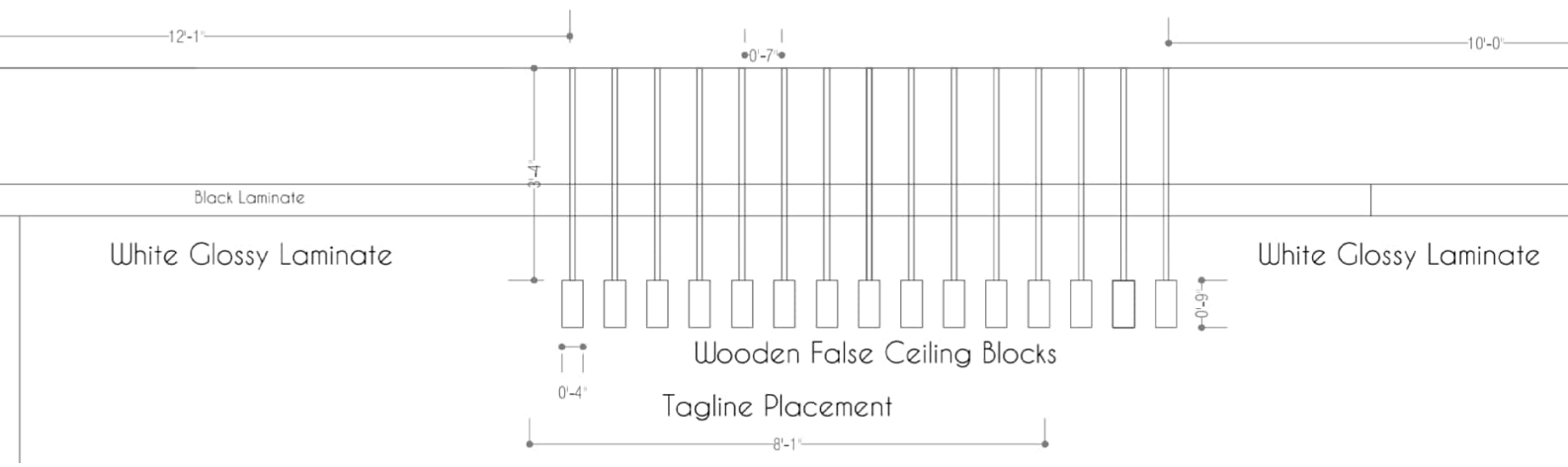
Lamination : White Laminate  
Company : VIR  
Code : Milky White SG400 I  
Colour : Glossy White



# Working Desk

FACE THE FUTURE

L E F T . E L E V A T I O N . D I G I T A L B R A N C H



CANDI is not just a young branch of Canara's legacy but also a digital experience which the users encounter while using its services. The round pillar which is at the center of the store has graphics for downloading the apps that Canara offers for a simple banking experience. This not only is an important section of the store in terms of visuals but also holds importance in the information prioritization.

With all the QR codes on the pillar to download the apps, the experience of CANDI reaches more interaction even outside the store. The two tabs on the pillar are for Digital Token and Digital Slips. The screen above shows the digital queue and announcements. The bottom part of the pillar has utility spaces smartly created for electricity plug points and to neatly place the connection wires.

Solid Surface : Solid Sheet  
 Company : GRANUIM  
 Code : GRE - 101 - Pure White  
 Colour : White

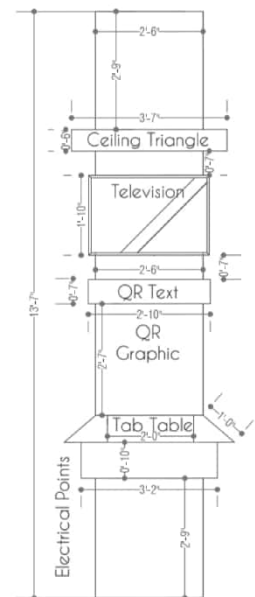
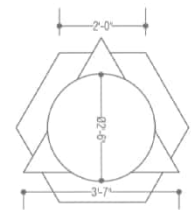
Lamination : White Laminate  
 Company : VIR  
 Code : Milky White SG4001  
 Colour : Glossy White

QR WALL BRANDING

## Column Elevation

# Digital Lounge

C O L U M N E L E V A T I O N



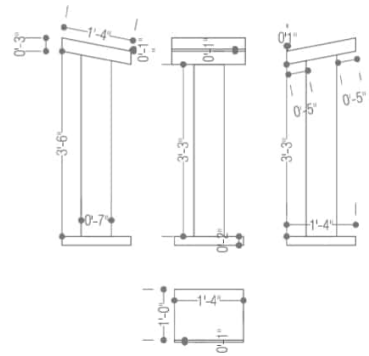
FRONT ELEVATION . DIGITAL BRANCH

stephen's  
HOUSE OF DESIGN

ENCOUNTER SIMPLICITY

# Tab Table

Solid Surface : Solid Sheet 6mm  
Company : GRANUIM  
Code : GRE - 101 - Pure White  
Colour : White



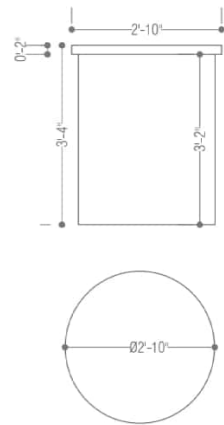
# Robot Platform

FACE THE FUTURE

Solid Surface : Solid Sheet 6mm  
Company : GRANUIM  
Code : GRE - 101 - Pure White  
Colour : White  
For Top Base of the table

Lamination Colour : Yellow, Sea  
Green, Violet and Red.

\*refer the logo colour codes



## It's All in The Glaze

Gloss tiles have a reflective and smooth surface that bounces off light, making a room seem brighter and often bigger.

The laws of atomic physics inform us that it's absolutely impossible to achieve a surface that is perfectly smooth, but even on a microscopic level, a glossy glazed surface is exceptionally flush and uniform. The undulations and protrusions on a glossy surface are limited to a length of about 390nm - now take it from me, that's an indiscernibly minute distance. Indeed, this distance is so infinitesimal that it's actually shorter than the wavelength of visible light, and thus to light the surface appears perfectly smooth! So when light falls onto a glossy glaze it bounces off the surface in a "specular" or mirror-like fashion that is highly reflective.

This lighting trick makes them perfect for CANDI



Flooring Company : Simpolo  
Code : Alaska White  
Size : 4' x 4'  
Tile Colour : Glossy White

Digital Triangle Suspension Ceiling

Top covering : 4mm Acrylic Sheet

Block Structure : 19mm Ply

Triangle Side Lamination :Black Lamination

Company :

Code :

Colour : Jet Black

Sticker Sheet : All corners mandatory

Support Road : Anchor Road, 1 inch sleeve

---

Lounge Ceiling : Wooden Blocks

Block Material : 19mm Ply, 1mm laminate

Lamination : Wooden Laminate

Company :

Code :

Colour : Walnut Wooden Brown

Support Road : Anchor Road, 1 inch sleeve

---

Manager's Room and IP Conferench

Room : 3D cut Logo

Logo Material : 3mm Acrylic Sheet

Sticker Sheet : All sides mandatory

Colour : Refer Logo Colour Code



stephen's  
HOUSE OF DESIGN

RICH CUSTOMER INTERACTION

# Counter Table

Solid Surface : Solid Sheet 6mm  
Company : GRANUIM  
Code : GRE - 101 - Pure White  
Colour : White

Lamination : Violet Lamination  
Company : Formica  
Code : FI 1311 (SF)  
Colour : Rhodolite Matte

